

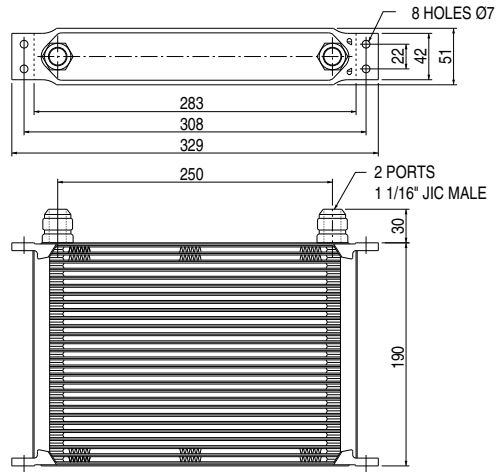
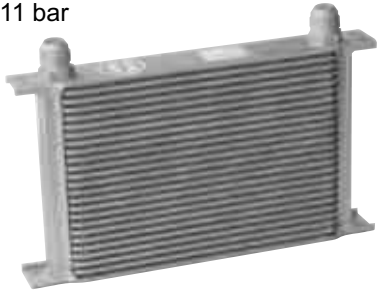


Cooling Elements For Add-On or Replacement PFA AND ALUMINIUM CORES

PFA SERIES ALUMINIUM CORES - JIC PORTS - 11 BAR PART NO. 69/04209W

High performance, small size and light weight oil coolers for small hydraulic systems on tractors and transmission or engine oil cooling on automotive applications. Also suitable for air line aftercooling and use with other fluids.
 Do not install these coolers in systems with high shock loading such as hydraulic cylinder circuits.

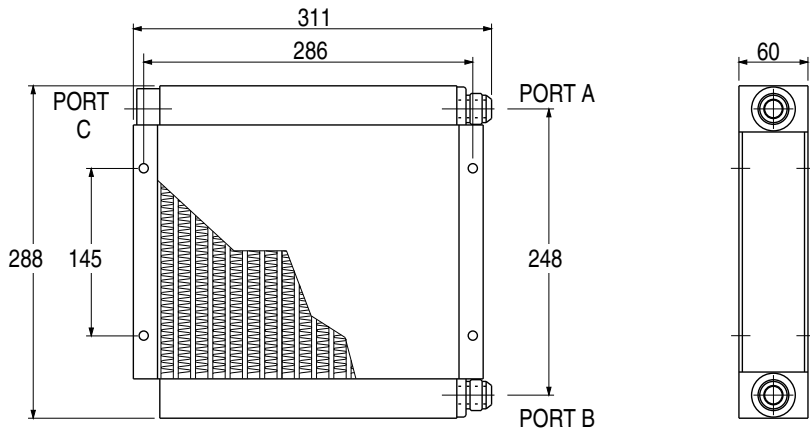
- Pressure rating 11 bar
- Weight 2.1kg



HI-FLOW SERIES ALUMINIUM CORES - JIC PORTS - 14 BAR PART NO. 18/06183

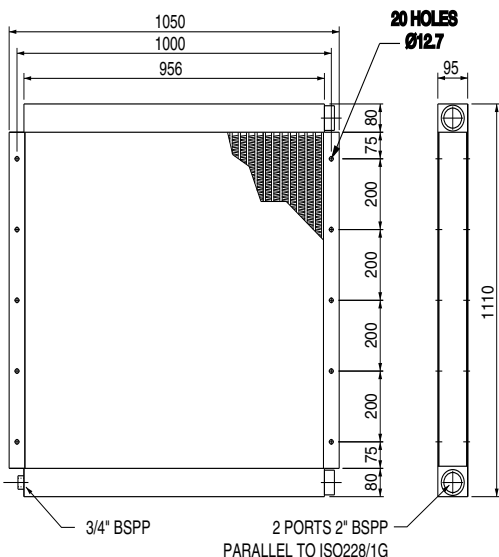
- 14 bar Pressure rating
- Weight 4 kg

Ports A and B are Male JIC 37° flare UN type 1 1/16" 12TPI.
 C is 1/2" BSPP to ISO 228/1G. Flexible hose required.

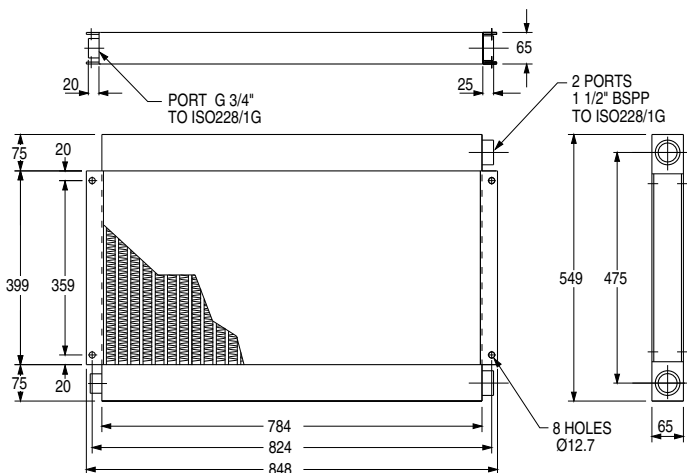


HI-FLOW SERIES ALUMINIUM CORES

- Part No. 18/06304
- 20 bar Pressure rating
- Weight 75 kg

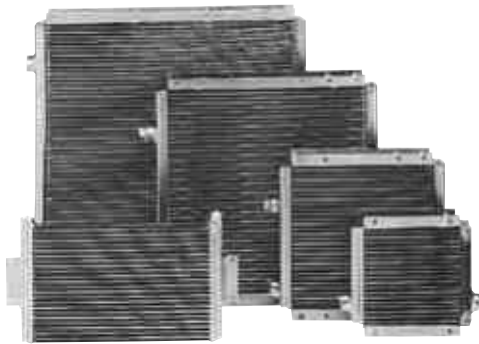


- Part No. 18/05928
- 30 bar Pressure rating
- Weight 27 kg

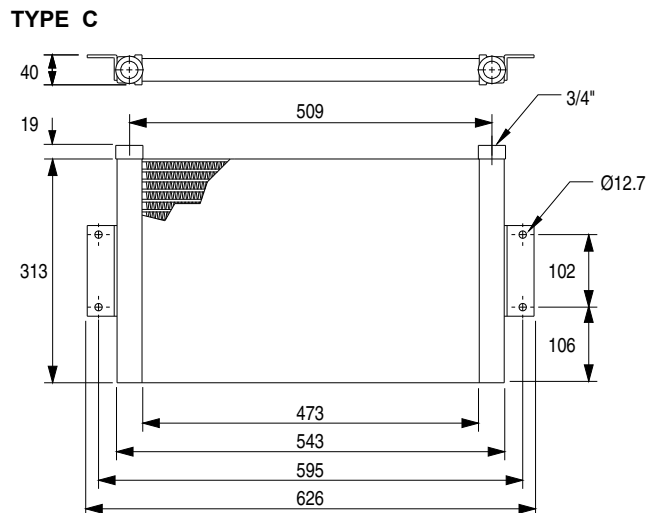
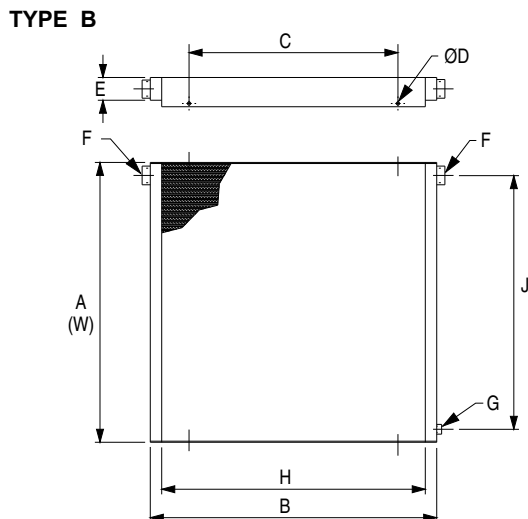
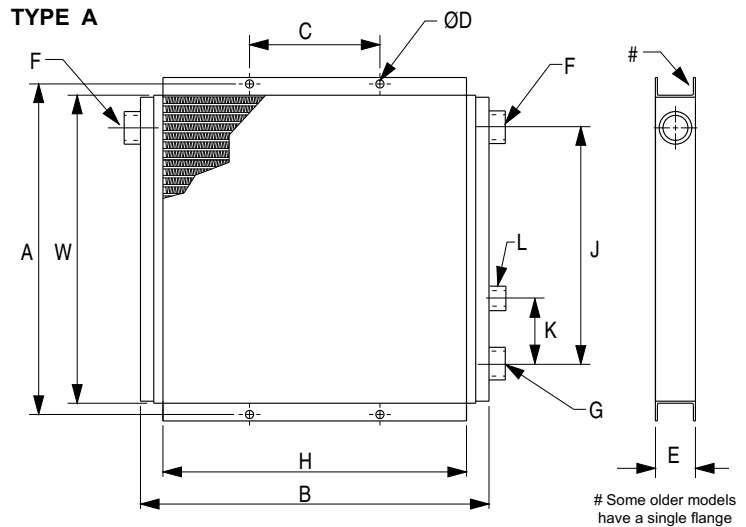


COOLING ELEMENTS

HI-FLOW SERIES ALUMINIUM CORES - 14 BAR



- 14 bar Pressure rating
- Very low pressure drop
- Suitable as air aftercooler



Part No	TYPE	A	B	C	D	E	J	K	F	G	L	H	W	Max Flow	Heat Cap*. kW	Weight
		mm	mm	mm	mm	mm	mm					mm	mm	l/min		kg
21/05030	C	-	-	-	-	-	-	-	-	-	-	-	-	60	9	5.8
21/04778	A	295	330	203	13	65	160	-	1"	3/4"◇	-	262	250	140	6.5	6
18/05824	A	365	400	203	13	65	228	80	1"	1"	3/4"	336	352	150	-	8
21/04779	A	432	467	203	13	65	229	-	1"	1"	-	397	403	180	14	10
21/04994	A	514	543	203	13	65	305	-	1 1/4"	3/4"	-	473	479	200	23	13.5
1E2926	A	622	635	355	10	65	406	-	1 1/4"	1 1/4"	-	565	578	240	33	21
1E2927	A	800	801	508	10	65	585	-	1 1/4"	1 1/4"	-	730	755	300	55	30
21/04996	A	800	821	508	13	90	663	-	2"	3/4"	-	731	764	400	-	33.0
21/05031S	B	1086	1114	813	12	95	984	-	2"	3/4"	-	1076	1086	570	-	81.0
18/05828	B	1086	1115	813	13	70	986	-	2"	3/4"	-	1045	1086	-	-	63.0

Ports BSPP to ISO 228/1G

* Heat capacity is at max oil flow, airflow of 5.1 m/s velocity through the core and oil/air inlet temp. difference of 30°C

◇ This port is on other side of the core to that shown.

Part No	New Equivalent	Cross reference	Old OEM (BSP)	Other (NPT)
1E4018	21/04778	66/01/00258	1E2922	1E2928
1E2924	21/04779	66/01/00259	-	1E2929
1E2926		66/01/00950	-	1E2931
1E2927		66/01/00951	-	1E2932
1E4041	18/05828	66/01/03712	3560 (Ext'd tank)	1E2966

Caution: Some original model coolers were supplied with NPT threaded ports. All new coolers have BSP threaded ports. BSP ports have a groove machined on the OD to assist in identifying the thread.

All dimensions in mm unless noted otherwise 0-50 are ± 1. 50-1500 are ± 3.