



air cooled exchangers With aluminium cooling elements VERSACOOOL SERIES COOLER

- AC electric models deliver more air flow resulting in greater performance while using a smaller diameter lower noise fan. Cylindrical air jet discharge pattern eliminates recycling of heated air through matrix.
- Choice of Hi-Flow low pressure drop cooling elements on all larger models.
- Highest performance in the smallest package allows use in confined spaces, universal top and bottom mount makes vertical, horizontal or inverted mounting easy. Accessory mounting feet (page 56) are available.
- Ease of assembly and commonality of components makes for a large array of models. 73 models are currently available from stock.



Mounting feet and thermostat options page 58-60.

Versacool model codes

Vcl 4 x a c 5 0

Vcl= standard model range

Vc = Face mount range

Vcc = compact Fan model range

Basic model number = 2, 4, 5, 6, 7 or 8

cooling element type

n = Aluminium Hi-Flow 65mm - Operating pressure 14 Bar (VC5 model only)

x = Aluminium Hi-Flow 65mm - Operating pressure 14 Bar

P = Aluminium Hi-Flow 65mm - Operating pressure 30 Bar

Basic Drive type

a = AC electric motor.

D = DC electric motor.

H = Hydraulic Motor.

specific Fan motor codes

a = (DC motor only) High performance DC electric motor type.

B = (DC motor only) DC electric motor type. Low amp/low noise

c = (AC models only) Standard Three phase 240/415 volt TEFC, IP55 electric motor.

D = (AC models only) Standard Single phase 240 volt TEFC, IP55 electric motor.

e = Hydraulic motor MGG Gresen-Tyrone gerotor type, high speed.

F = Hydraulic motor small orbit Eaton J/Sam BGM/ EPMM/Danfoss OMM/etc. 16 mm shaft. **end Ports**

Q = Hydraulic motor small orbit Eaton J/Sam BGM/ EPMM/Danfoss OMM/etc. 16 mm shaft.

side Ports (optional)

G = (AC motor only) Three phase 240/415 volt TEFC, IP55 electric motor. Low speed, low fan noise.

H = (AC motor only) Single phase 240 volt TEFC, IP55 electric motor. Low speed, low fan noise.

m = Commercial Alpha Series M5 Gear Type Hydraulic Motor.

x = Special Hydraulic Motor Mount For Customer Supplied Motor.

DC Voltage or ac Hertz electric motor codes

1 = (DC motor only) 12 Volt power supply.

2 = (DC motor only) 24 Volt power supply.

5 = (AC motor only) 50 Hertz AC power supply.

6 = (AC motor only) 60 Hertz AC power supply. Consult sales with voltage before ordering.

Omitted = No Motor Unit

special Details or Finish

0 = Standard Model. Other numbers indicate special features.

00 = No Motor unit.

F = Extra corrosion resistant finish

Accessories are not indicated on model identification. Order separately.



air cooled exchangers With aluminium cooling elements DYNACOOOL SERIES A 2000 CLASSIC

- Australian designed and manufactured product with reputation for quality, reliability and technical excellence.
- With over 30 years experience, constant development and testing has produced the Series A 2000 the most compact and lowest noise oil cooler in its performance range.
- The largest air cooled heat exchanger inventory in the southern hemisphere means that you can demand and receive the fastest delivery of new units and service parts exactly when you need them.



DYNacool moDel coDes

D c 32 Y H 8 ac 6 00 #

Basic moDel nUmBer = 31, 32, 33, 35 & 70 _____

coolinG element tYPe _____

- s** = Hi-Flow 90mm - Operating pressure 14 Bar (Ports on opposite side)
- G** = Hi-Flow 70mm - Operating pressure 14 Bar (Ports on same side)
- I** = Hi-Flow 95mm - Operating pressure 14 Bar (Ports on same side)
- U** = Hi-Flow 95mm - Operating pressure 14 Bar (Ports on opposite side)
- V** = Hi-Flow 95mm - Operating pressure 20 Bar (Ports on same side)
- Y** = Hi-Flow 65mm - Operating pressure 14 Bar (Ports on opposite side)

Port orientation _____

- H** = Horizontal
- V** = Vertical

Fan Diameter (mm) _____

- 5** = Ø500
- 6** = Ø630
- 8** = Ø800
- 9** = Ø892
- 10** = Ø1000

Basic Drive tYPe _____

- ac** = 3 Phase electric motor
- ad** = 1 Phase electric motor
- HF** = Hydraulic orbit motor with end ports
- HQ** = Hydraulic orbit motor with side ports (optional)
- HV** = Hydraulic vane motor
- nm** = No motor (electric motor mounting provided)
- Ga** = Air motor
- DP** = Motor and DC30 Pump
- HP** = Motor and Haight Pump
- Hx** = No motor (hydraulic motor mounting provided. Customer to specify motor details)
- Dc** = DC Motor

motor/F an sPeeD _____

- 2** = 2 Pole Nom. 2800rpm at 50 Hz
- 4** = 4 Pole Nom. 1450rpm at 50 Hz
- 6** = 6 Pole Nom. 950rpm at 50 Hz
- 8** = 8 Pole Nom. 750rpm at 50 Hz

sPecial Details or FinisH _____

- 00 or none** = 415V 50Hz
- 01** = 240V 50Hz
- V** = 3.5 Bar bypass valve
- F** = Extra corrosion resistant finish

not all combinations are available or possible



air cooled exchangers With aluminium cooling elements

AC ELECTRIC HEAT EXCHANGERS

TECHNICAL SPECIFICATIONS - AC ELECTRIC MODELS

Electric Motor Specifications

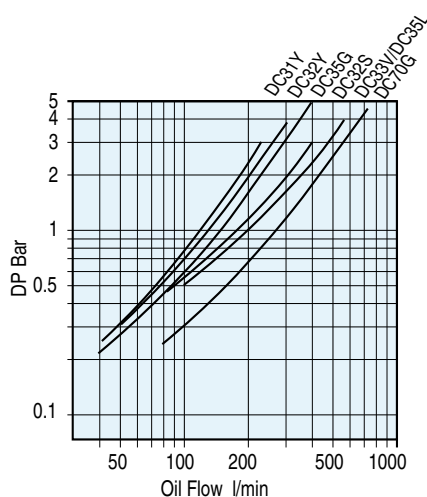
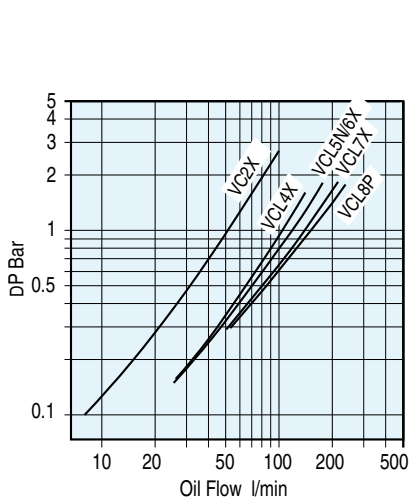
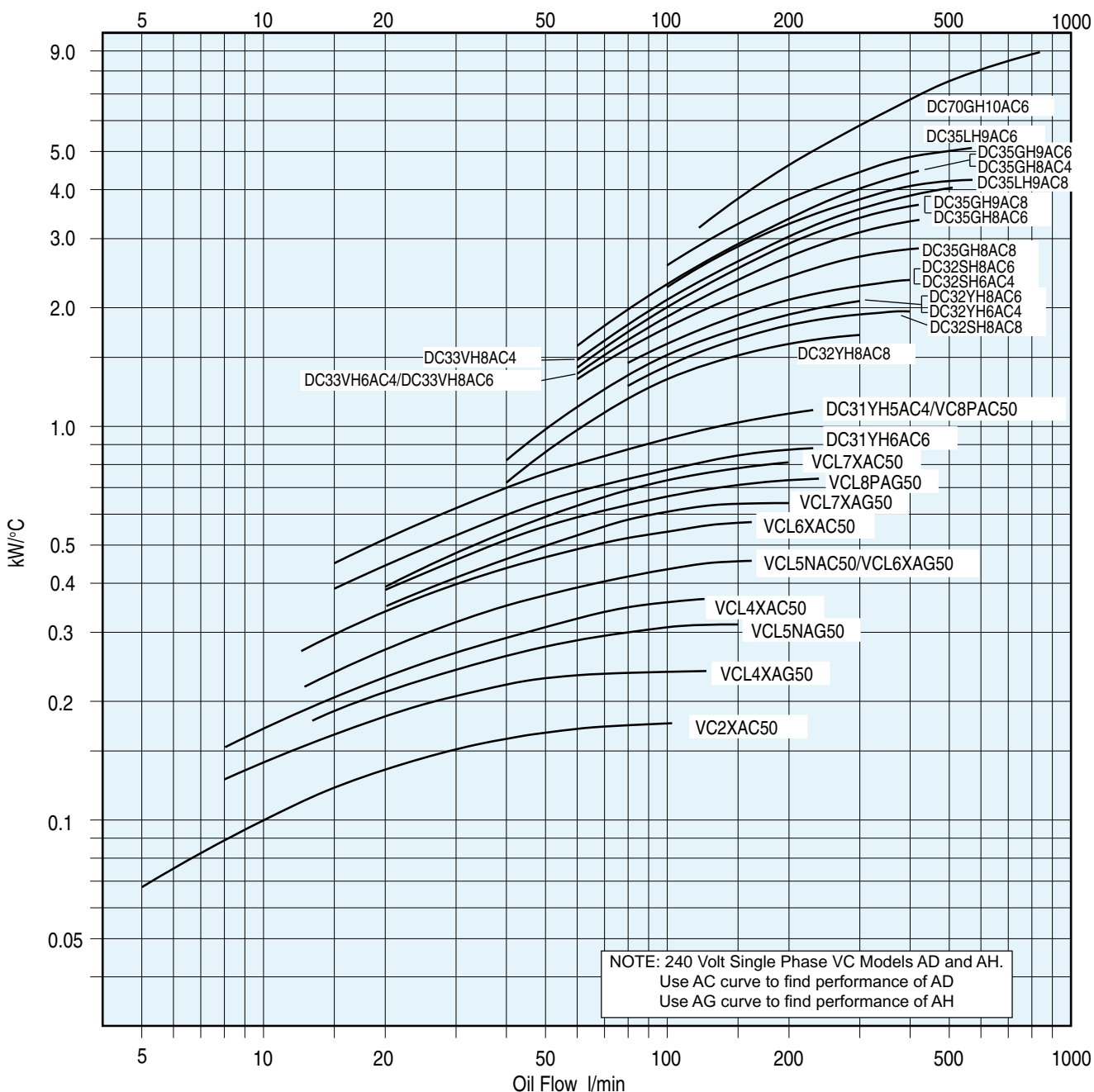
- Dynacool A 2000 Series. 50 Hz 3 phase asynchronous to IEC 34-1, B3 mount IP55, Insulation- Class F. Temperature rise- Class B
- Versacool. 50Hz asynchronous to IEC 34-1, B3 mount IP55, Insulation- Class F. Temperature rise- Class B
- 60 Hz available with reduction of fan blade angles.

General construction

- Cooling Elements. Aluminium furnace brazed. Ref. to pages 4 and 5 for element types.
- Casing and Structure. Steel (zinc seal) polyester powder coated. Stainless steel to special order.
- Steel core guards on Dynacool models.
- Coated steel fan guards on all models.
- Fans. Polypropylene GF or Polyamide GF. Antistatic fans available on request.
- Fastenings. Zinc plated. Stainless steel to special order.

MODEL/ Part Number	Noise level * dB(A) at 1m	Fan Ø (mm)	Volts	Phase	kW	Size	Poles	Weight (kg)
VC2XAC50	82	243	415	3	0.25	63	2	12
VC2XAD50	82	243	240	1	0.24	63	2	12
VC2XAG50	65	243	415	3	0.18	63	4	12
VC2XAH50	65	243	240	1	0.15	63	4	12
VCL4XAC50	84	305	415	3	0.37	71	2	15.5
VCL4XAD50	84	305	240	1	0.37	71	2	15.5
VCL4XAG50	68	305	415	3	0.25	71	4	15.5
VCL4XAH50	68	305	240	1	0.187	71	4	15.5
VCL5NAC50	87	354	415	3	0.75	80	2	20
VCL5NAD50	87	354	240	1	0.75	80	2	20
VCL5NAG50	71	354	415	3	0.37	71	4	20
VCL5NAH50	71	354	240	1	0.37	71	4	20
VCL6XAC50	78	450	415	3	0.55	80	4	25
VCL6XAD50	78	450	240	1	0.55	80	4	25
VCL6XAG50	68	450	415	3	0.55	80	6	25
VCL7XAC50	78	450	415	3	0.55	80	4	28
VCL7XAD50	78	450	240	1	0.55	80	4	28
VCL7XAG50	68	450	415	3	0.55	80	6	28
VCL8PAC50	90	354	415	3	0.75	80	2	58
VCL8PAD50	90	354	240	1	0.75	80	2	58
VCL8PAG50	74	354	415	3	0.37	71	4	58
VCL8PAH50	74	354	240	1	0.37	71	4	58
DC31YH5AC400	84	500	415	3	0.75	80	4	56
DC31YH6AC600	78	630	415	3	0.55	80	6	56
DC32YH6AC400	89	630	415	3	1.5	90L	4	90
DC32YH8AC600	84	800	415	3	2.2	112	6	91
DC32YH8AC800	79	800	415	3	1.1	100	8	91
DC32SH6AC400	89	630	415	3	1.5	90L	4	90
DC32SH8AC600	88	800	415	3	2.2	112	6	99
DC32SH8AC800	79	800	415	3	1.1	100	8	99
DC33VH6AC400	89	630	415	3	1.5	90L	4	180
DC33VH8AC400	96	800	415	3	3.0	100	4	180
DC33VH8AC600	87	800	415	3	2.2	112	6	180
DC35GH8AC400	96	800	415	3	3.0	100	4	195
DC35GH8AC600	87	800	415	3	2.2	112	6	195
DC35GH8AC800	79	800	415	3	1.1	100	8	195
DC35GH9AC600	92	892	415	3	2.2	112	6	195
DC35GH9AC800	85	892	415	3	1.1	100	8	195
DC35LH9AC600	92	892	415	3	2.2	112	6	210
DC35LH9AC800	85	892	415	3	1.1	100	8	210
DC70GH10AC600	85	1000	415	3	5.5	132M	6	380

* Noise levels listed are raw A weighted pressure representing worst case. Refer noise level statement page 67



oil cooler siZiNG

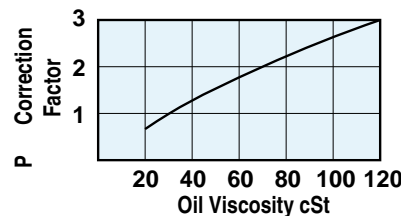
step 1. Calculate $ETD = T_{oil} - T_{air}$
 T_{oil} = Temp °C of oil entering the cooler (usually the same as max. allowable oil temp.)
 T_{air} = Expected Ambient Air Temp °C.

step 2. Calculate $kW/°C ETD = \frac{kW}{ETD}$ kW = Heat Load.

step 3. Enter Cooler Performance Tables and select a cooler which meets or exceeds the required performance at the required oil flow rate.

step 4. Check pressure drop of the oil cooler selected in step 3. If the average oil viscosity is not 30 cSt apply a correction for the expected viscosity.

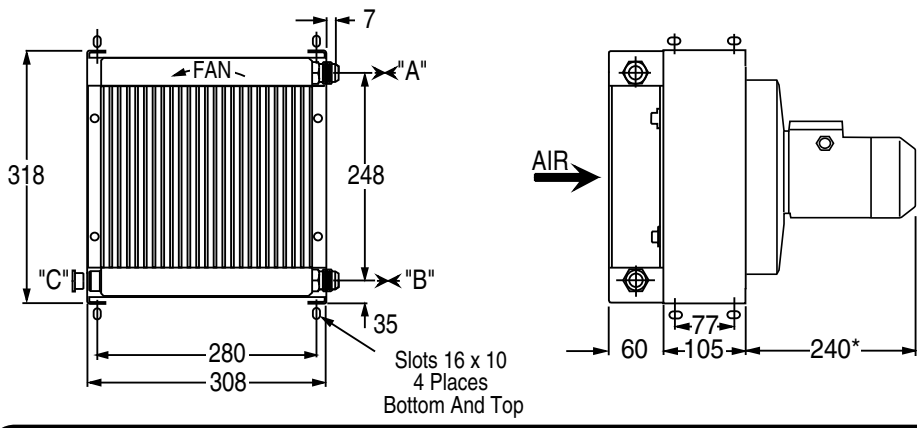
Computer model selection program available.





air cooled exchangers With aluminium cooling elements
DIMENSIONS - VERSACOOOL AC ELECTRIC SERIES

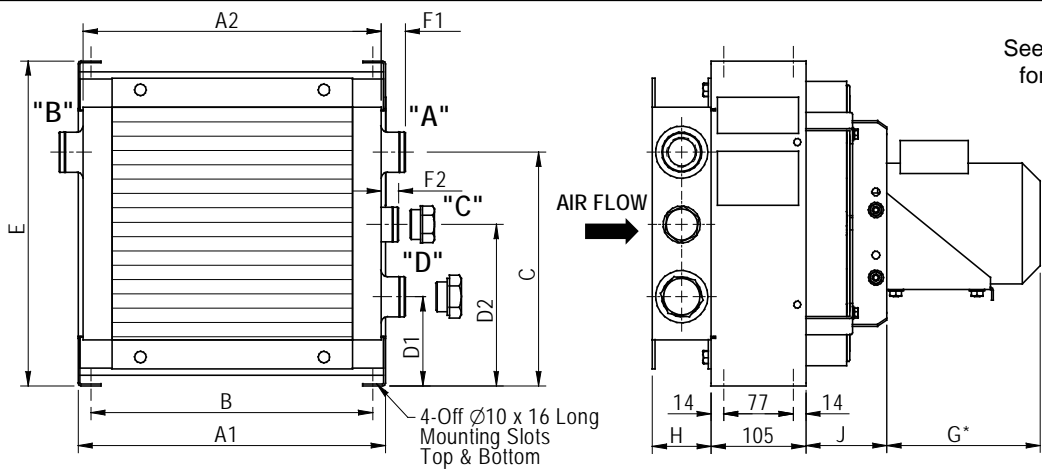
moDel Vc2xa



VC2XA Port size
 "A" "B" "C"
 1 1/16" 1 1/16" 1/2"

Flexible hose required
 Ports A & B are Male JIC 37° flare UN. Port C is BSPP to ISO 228/1G
 *Nominal, Varies with motor brand.
 See Accessory information for foot bracket options.

moDel Vc14xa, Vc15na, Vc16xa & Vc17xa

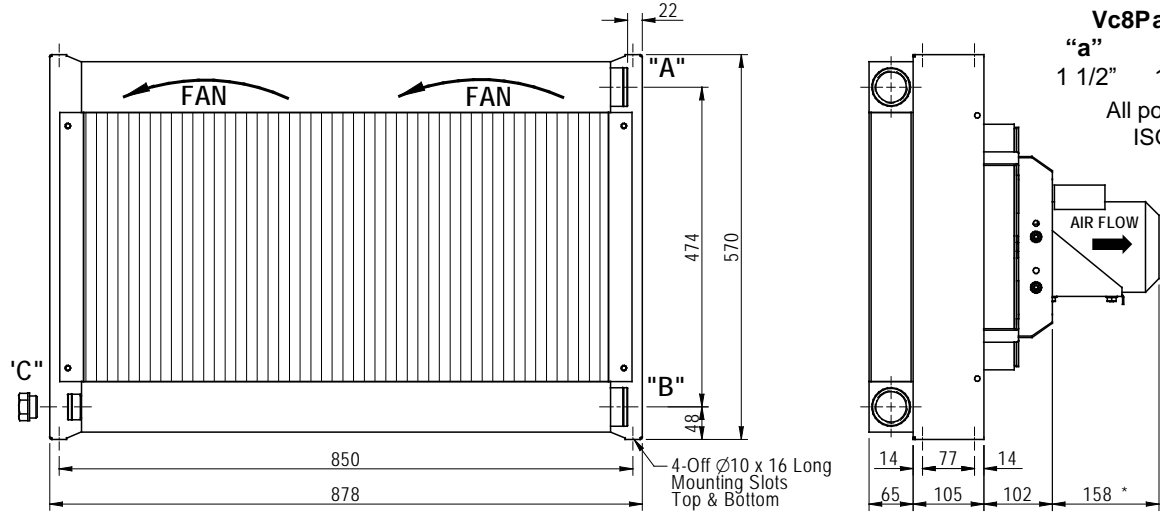


See Accessory information for foot bracket options.

model	a1	a2	B	c	D1	D2	e	F1	F2	G*	H	J	liq Vol l	"a"	"B"	"c"	"D"
Vc14xa	340	-	312	259	99	179	360	22	18	170	65	90	1.2	1"	1"	1"	3/4"#
Vc15na	440	400	412	335	107	187	440	22	18	207	65	102	1.8	1"	1"	1"	3/4"
Vc16xa	485	468	457	398	170	250	505	22	18	207	65	102	2.2	1"	1"	1"	3/4"
Vc17xa	567	545	539	477	172	-	584	12	-	207	65	102	2.5	1 1/4"	1 1/4"	3/4"	-

*Nominal, Varies with motor brand. All ports BSPP to ISO 228/1G

moDel Vc18P a - ELEMENTS MAX OPERATING PRESSURE 30 BAR - TWIN FAN MODEL



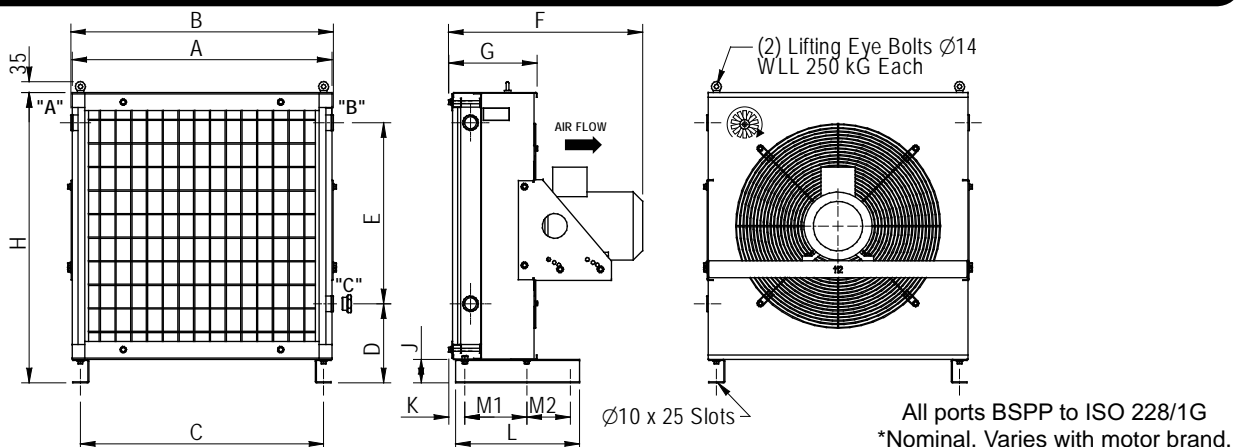
Vc8Pa Port size
 "a" "B" "c"
 1 1/2" 1 1/2" 3/4"

All ports BSPP to ISO 228/1G

See Accessory information for foot bracket options.

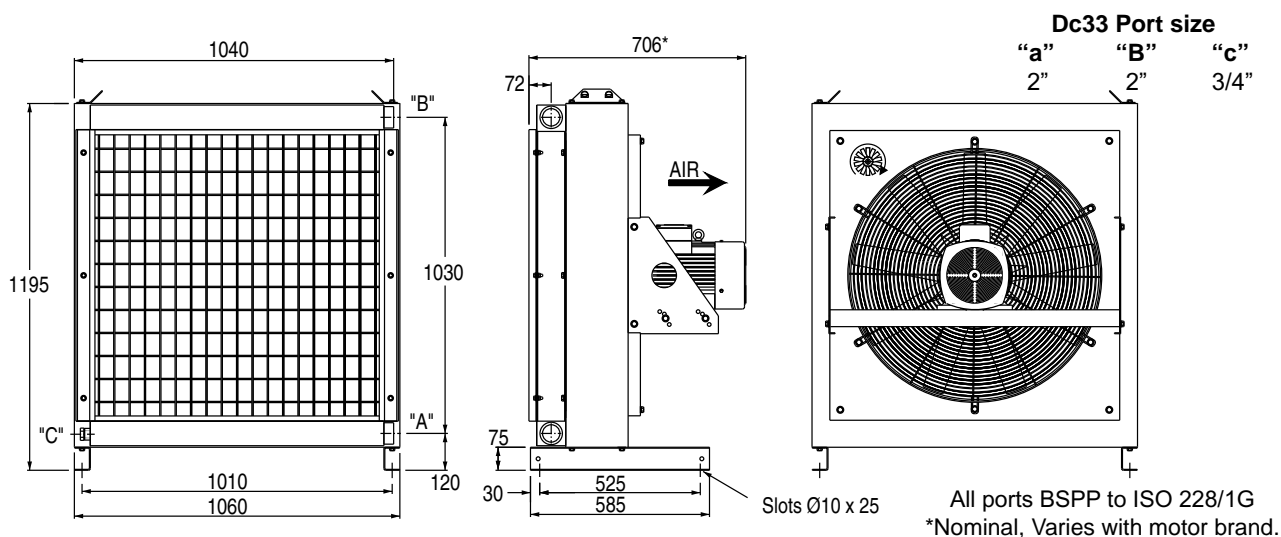
*Nominal, Varies with motor brand.

moDel Dc31 & Dc32

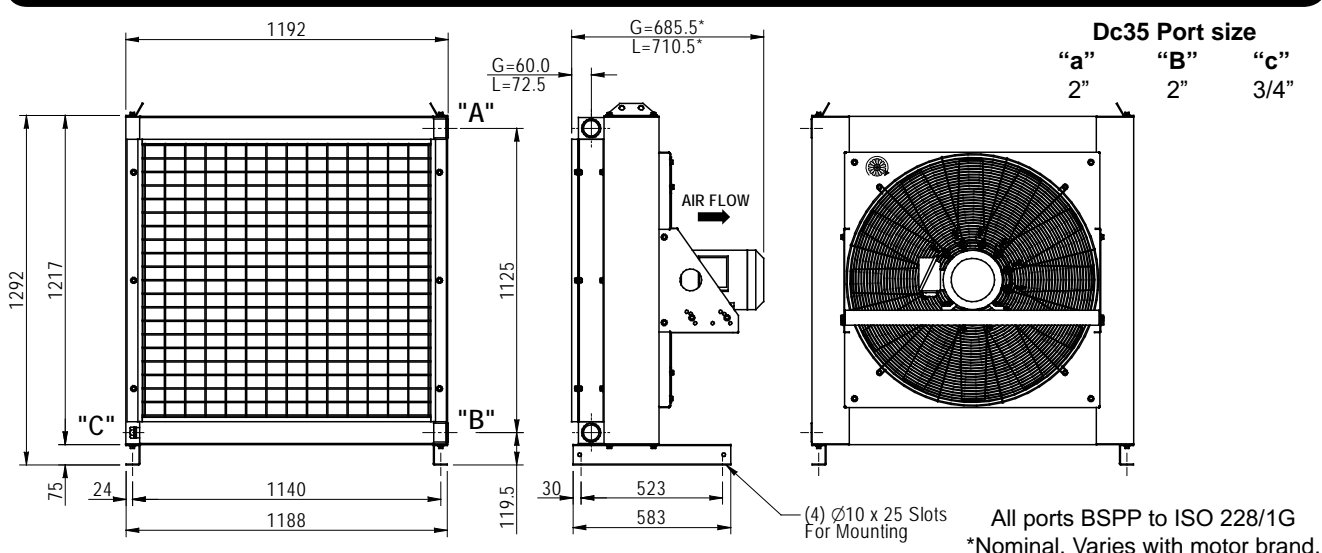


model	a	B	c	D	e	F*	G	H	J	K	l	m1	m2	"a"	"B"	"c"
31Y	674	694	618	255	406	515*	277	762	75	53	400	200	140	1 1/4"	1 1/4"	1 1/4"
32s	840	847	784	177	663	590*	302	940	75	78	400	200	140	2"	2"	3/4"
32Y	840	847	784	255	585	565*	277	940	75	53	400	200	140	1 1/4"	1 1/4"	1 1/4"

moDel Dc33



moDel Dc35 I & G



All dimensions in mm unless noted otherwise 0-50 are ± 1 . 50-1500 are ± 3 .