



## air cooled exchangers With coaxial pump

- High performance off-line oil cooling and filtration systems for cooling hydraulics or gear drives.
- Heat transfer rating from 0.25 to 1.4 kW/°C using hydraulic or gear oil, contact sales office for suitability with very high viscosity oils viscosity.
- Internal relief valve for protection against over pressure or accident.



Vcl6xac4DP40

**Application.** These units are most effective as an add on for hydraulic circuits as well as cooling gear drives. The most common application is for hydraulic circuits where there are sudden oil flow changes with cylinders where flow surges and spikes from cylinder operation do not allow the use of the cooler in the main circuit due to the risk of cooler element damage. Use of this type of cooler with its own separate circuit will avoid this problem. Please contact our sales office to have your application reviewed.

**PUMP Pressure.** Pump delivery pressure to 5 bar. Higher pressure ratings available. Consult factory.

**Performance range.** Heat transfer range is from 0.25 to 1.4 kW/°C of ETD. Performance is based on ISO 68 hydraulic oil at 30cSt, for other fluids and viscosities please contact our sales office. ETD is the difference between the entering oil and the cooling air temperature.

**connection.** VCL models are equipped with oil delivery hose from oil pump to cooling element. Please contact our sales office if the pumping head is greater than 10m or you have any special requirements. Pump inlet must be flooded.

**Other models available.** We also supply models with other types of cooling elements for special applications.



Dc32YH6ac4HI75

MODEL Part number	Oil flow l/min	Pump type	Max cst	kW/°C etD	kW Poles	Volts Phases	Motor size	Fan Ø (mm)	*Noise Level dB(a) at 1m	Weight (kg)
VCL4XAC4DP40	40	DCP40	300	0.25	0.75/4	415	80	305	75	
VCL5NAC4DP40	40	DCP40	300	0.27	0.75/4	415	80	354	75	
VCL6XAC4DP40	40	DCP40	300	0.43	1.1/4	415	90S	450	78	
VCL6XAC6HL50	50	HL75	750	0.46	1.1/6	415	90L	450	#	
VCL6XAC4HL75	75	HL75	500	0.52	1.5/4	415	90L	450	#	
VCL7XAC4DP40	40	DCP40	300	0.55	1.1/4	415	90S	450	78	
VCL7XAC6HL50	50	HL75	750	0.59	1.1/6	415	90L	450	#	
VCL7XAC4HL75	75	HL75	500	0.67	1.5/4	415	90L	450	#	
DC31YH5AC4DP40	40	DCP40	300	0.70	2.2/4	415	100	500	#	
DC31YH5AC4HL75	75	HL75	500	0.85	3.0/4	415	100	500	#	
DC31YH5AC4HL110	110	HL110	500	0.95	3.0/4	415	100	500	#	
DC32YH6AC4DP40	40	DCP40	500	0.75	4.0/4	415	112	630	#	
DC32YH6AC4HL75	75	HL75	500	1.2	4.0/4	415	112	630	#	
DC32YH6AC4HL110	110	HL110	500	1.4	4.0/4	415	112	630	#	

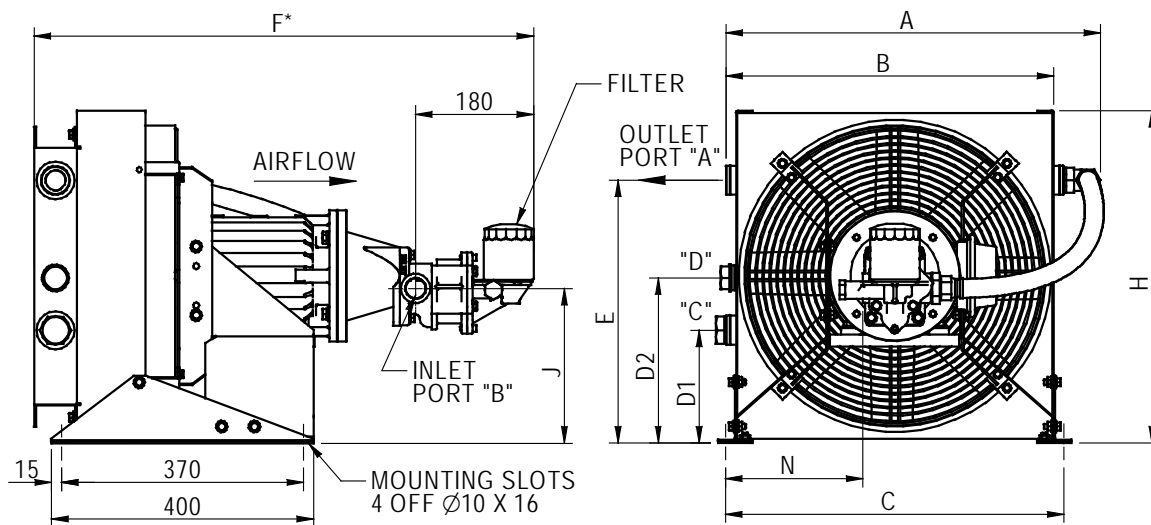
# Not available at time of publication.

Heat transfer rating kW/°C ETD is for Mineral Oil with operating viscosity less than 100 cSt.

\* Noise levels listed are raw A weighted @ 1 metre representing worst case. Refer noise level statement page 63.

**moDel Vcl with DCP40 Pump**

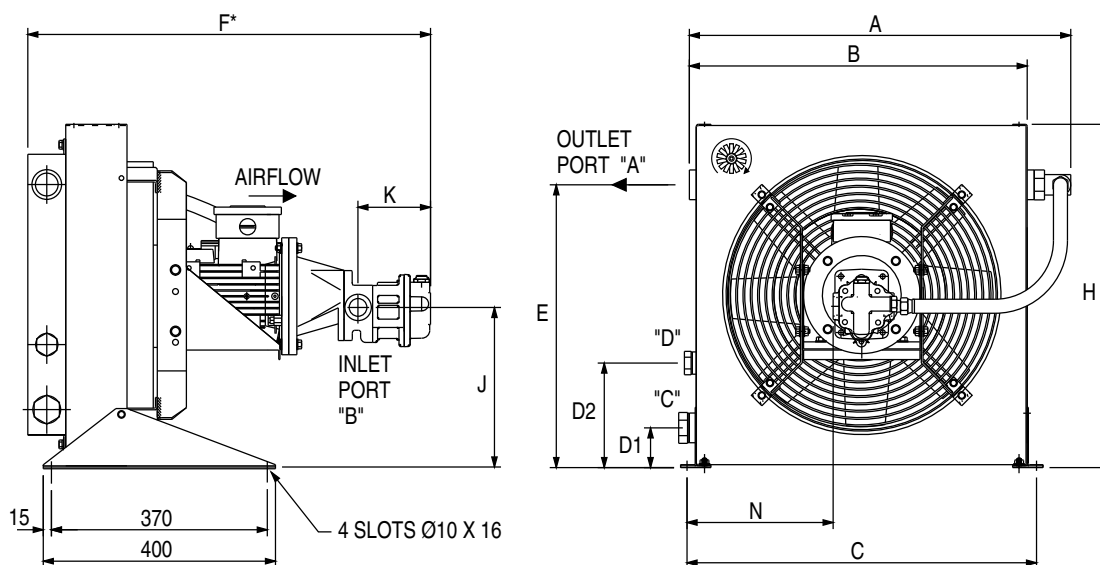
air cooled With inline Pump



moDel	a	B	c	D1	D2	e	F	H	J	K	n	"a"	"B"	"c"	"D"
Vcl4xac4DP40	434	374	372	102	182	262	665	365	164	124	137	1"	1"	1"	3/4"
Vcl5nac4DP40	504	444	472	110	190	338	665	443	204	124	187	1"	1"	1"	3/4"
Vcl6xac4DP40	568	508	517	173	253	401	690	508	236	124	210	1"	1"	1"	3/4"
Vcl7xac4DP40	647	587	599	175	-	480	690	587	276	124	250	1 1/4"	1"	3/4"	-

\* Nominal, varies with motor brand Ports BSPP to ISO 228/1G

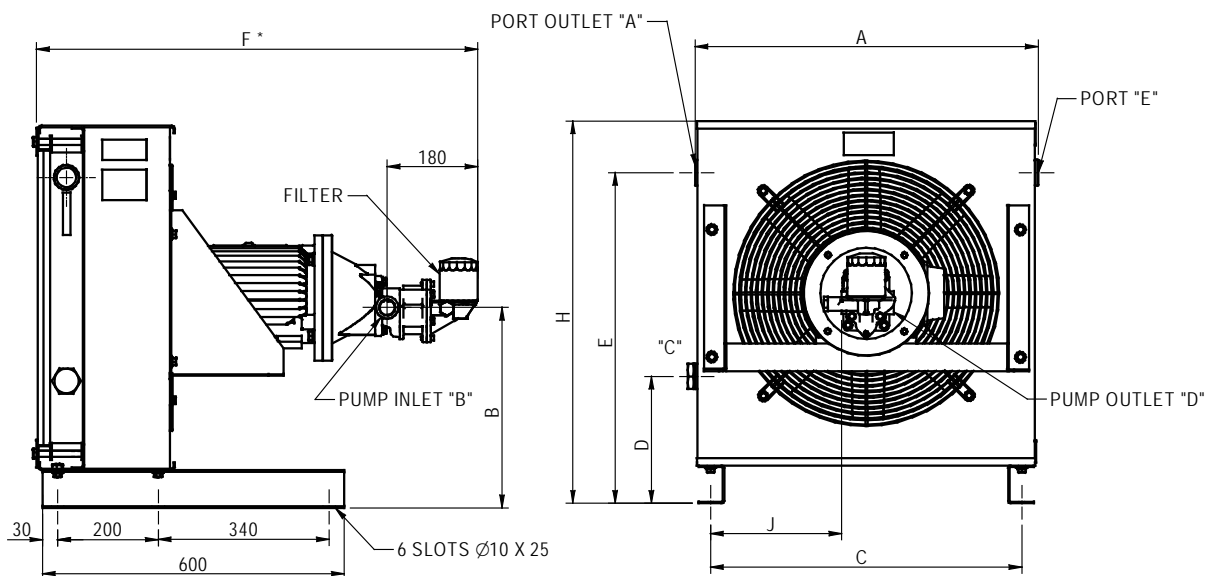
**moDel Vcl with Helilube Pump**



moDel	a	B	c	D1	D2	e	F	H	J	K	n	"a"	"B"	"c"	"D"
Vcl6xac6HI50	568	508	517	173	253	401	802	508	232	87	209	1"	1 1/4"	1"	3/4"
Vcl6xac4HI75	568	508	517	173	253	401	802	508	232	87	209	1"	1 1/4"	1"	3/4"
Vcl7xac6HI50	647	587	599	175	-	480	802	587	272	87	249	1 1/4"	1 1/4"	3/4"	-
Vcl7xac4HI75	647	587	599	175	-	480	802	587	272	87	249	1 1/4"	1 1/4"	3/4"	-

\* Nominal, varies with motor brand Ports BSPP to ISO 228/1G

**moDel Dc31P & Dc32P with DCP40 Pump**

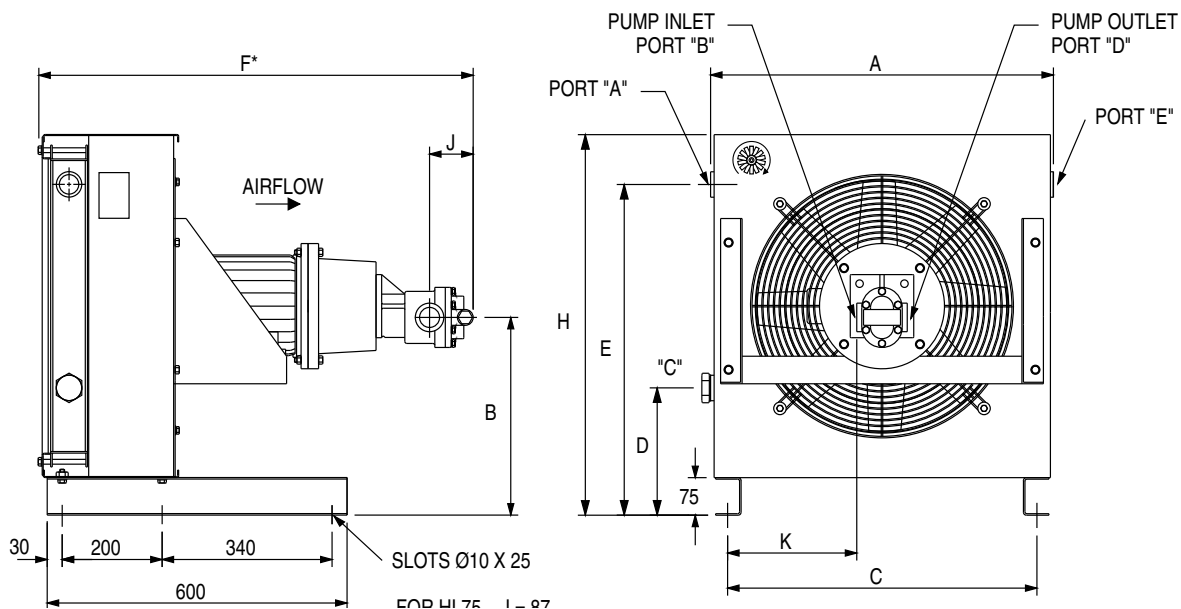


moDel	a	B	c	D	e	F*	H	K	"a"	"B"	"c"	"D"	"e"
Dc31YH5ac4DP40	680	398	620	255	660	760	760	124	1 1/4"	1"	1 1/4"	1"	1 1/4"
Dc32YH6ac4DP40	845	413	785	255	838	790	940	124	1 1/4"	1"	1 1/4"	1"	1 1/4"

\* Nominal, varies with motor brand

Ports BSPP to ISO 228/1G

**moDel Dc31P & Dc32P with Helilube Pump**



moDel	a	B	c	D	e	F*	H	K	"a"	"B"	"c"	"D"	"e"
Dc31YH5ac4HI75	680	398	620	255	660	870	760	87	1 1/4"	1 1/4"	1 1/4"	1 1/4"	1 1/4"
Dc31YH5ac4HI110	680	395	620	255	660	877	760	98	1 1/4"	1 1/2"	1 1/4"	1 1/2"	1 1/4"
Dc32YH6ac4HI75	845	413	785	255	838	900	940	87	1 1/4"	1 1/4"	1 1/4"	1 1/4"	1 1/4"
Dc32YH6ac4HI110	845	410	785	255	838	907	940	98	1 1/4"	1 1/2"	1 1/4"	1 1/2"	1 1/4"

\* Nominal, varies with motor brand

Ports BSPP to ISO 228/1G