



air cooled exchangers With aluminium cooling elements VERTICAL DISCHARGE TOWER TYPES

Features

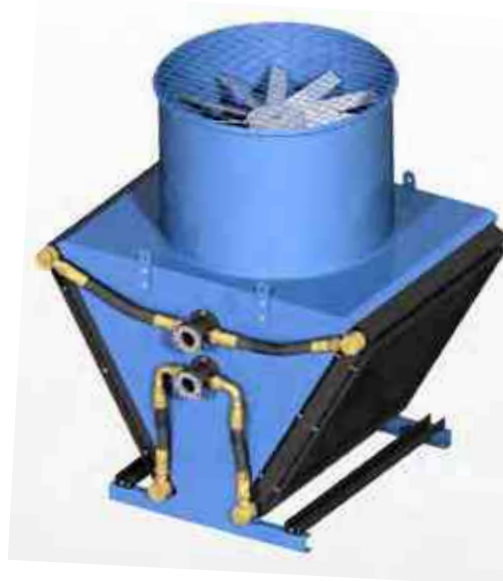
- Series DC70 and VT2041 vertical discharge tower type heat exchangers were developed for use in large oil cooling and air aftercooling applications. The VT series are among the largest capacity standard oil cooling packages available.
- These units feature single fan vertical discharge vane controlled air management systems which reduce noise levels and eliminate re-circulation of heated cooling air. The DC70 has a top mounted motor and fan. On the VT2041, the motor is bottom mounted with a drive shaft to the top mounted fan.
- Both models have a small footprint which means large space saving on big air cooled applications. The VT2041 has a foot print of 1600 mm x 1600 mm and can replace up to 4 of our largest horizontal models.
- For applications where there is a large degree of air contamination, these units can be fitted with ducting to draw clean air into and through the cooling elements and thus eliminate the need to provide expensive air filtration systems. Also, ducting can be fitted to the outlet to discharge hot air outside of the work area.

Series DC70 Performance.

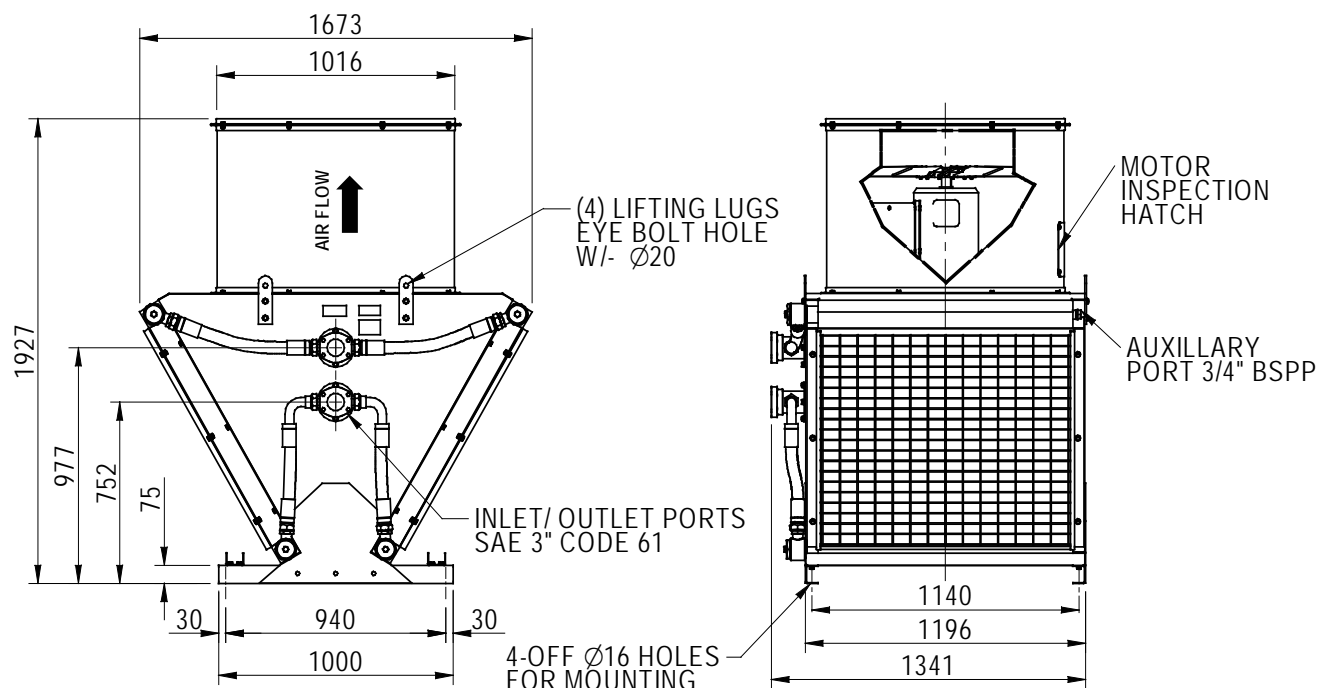
For performance with standard "G" type cooling elements refer to model DC70GH10AC6 page 7. Suitable for compressor air aftercooling up to 2500 SCFM and 14 bar air pressure.

Series DC70 Technical Data.

Refer to model DC70GH10AC6 page 6. Other types are available including units fitted with "L" type cooling elements. Consult sales for details.



DIMENSIONS - SERIES DC 70



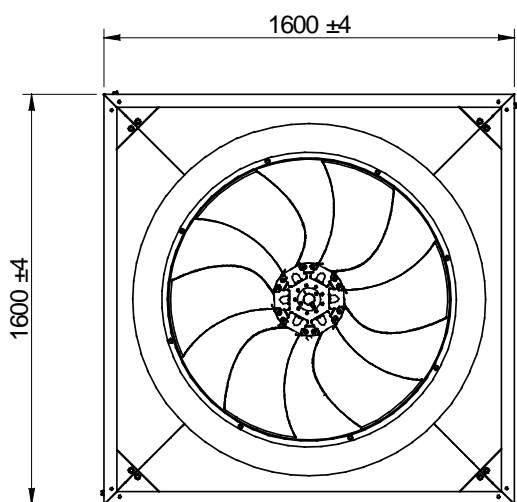
Series VT2041 Performance.

Available in several variants. Performance ranges from 7 to 20kW/°C. Oil Flow ranges from 200 to 2000 L/min. Compressor air aftercooling to 5000 SCFM. Consult sales for details.

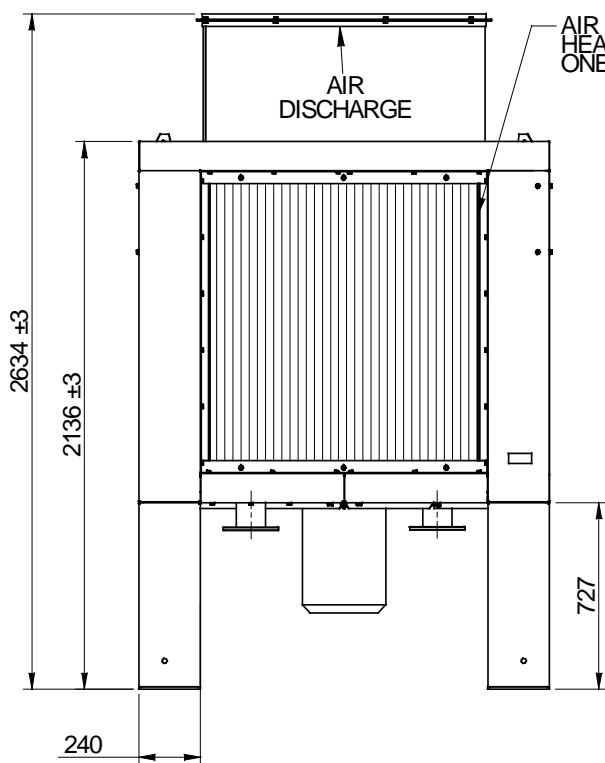
Series VT2041 Technical Data.

Available with 6 and 8 pole fan speeds or with variable fan speed control. Electric motor sizes to 30kW. Available with SS sheet metal and customized configurations. For example, unit can be fitted with debris covers.

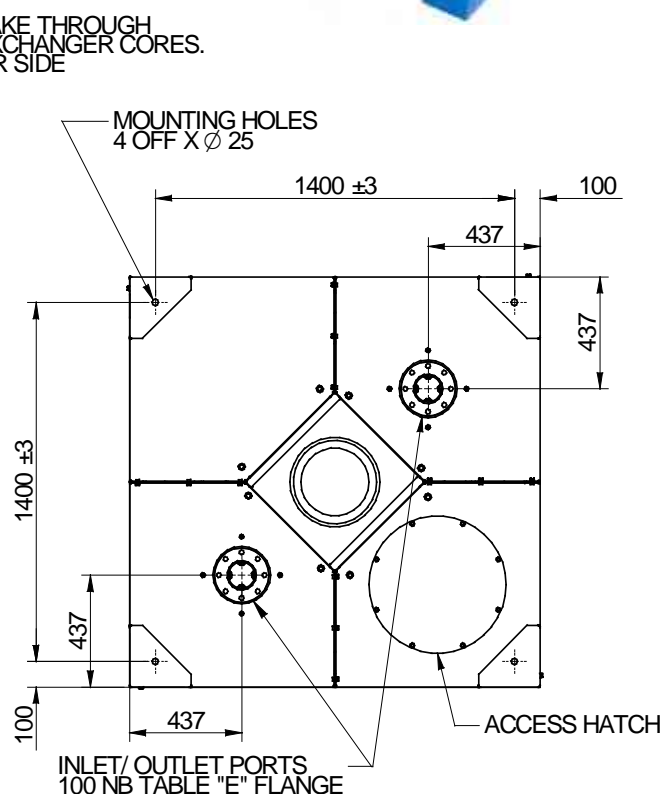
DIMENSIONS - VT2041



SERIES VT2041



Front Position



Base laYoUt

All dimensions in mm unless noted otherwise 0-50 are ± 1. 50-1500 are ± 3.