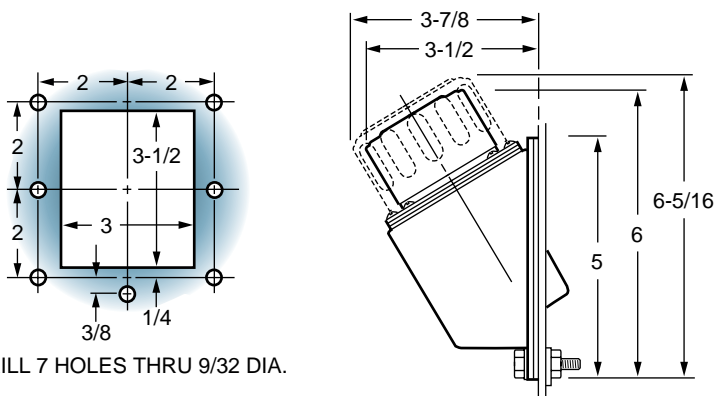


## SIDE-MOUNTING UNITS



DRILL 7 HOLES THRU 9/32 DIA.

Where top surfaces are not available for locating a filler port, this unit mounts on vertical tank walls. The housing is tough, glass-reinforced nylon. It's only available with a 3-in. deep basket (and optional inner guard). The only other options are the 3-in. dipstick, the lockable cap, and powder coated cap.

### HOW TO ORDER SIDE-MOUNTED UNITS

Select the desired specifications from the ordering table and build an ordering code number, as shown in this example:

AM - 1100 - 3 - G - LL - DS - BPC  
 CAP - ELEMENT - BASKET - GUARD - Lockable - Dipstick - Black  
 Powder  
 Coated  
 (omit if not wanted)

| CAP Type        | ELEMENT (Micron) | BASKET Depth (in.) | Inner GUARD          | Lock Lugs | Dipstick* | Black Powder Coated Cap |
|-----------------|------------------|--------------------|----------------------|-----------|-----------|-------------------------|
| AM (std)        | 1100 (40)        | 3 (only)           | no symbol (no guard) | LL        | DS        | BPC                     |
| AMG (grip type) | 1110 (10)        |                    | G (guard)            |           |           |                         |

\*No chain unless specifically ordered.



Black powder coated lockable Cap



Shown with grip type cap