

TANK BREATHERS

STANDARD UNITS

These devices ensure a free flow of air into hydraulic tanks or similar containers, while stopping the entry of airborne contaminants. Both 40-micron and 10-micron rated elements are offered in most models. They permit air passage at up to 25 scfm. They have NPT bases.

BF Models. Available in all-steel or nylon-base construction. The nylon-base unit is more than strong-enough, and it costs less.

BFG MODELS. Available with a steel plated grip cap and steel base in 3/4". Both 10 and 40 micron available.

ORDER BY PART NUMBER

TYPE	FILTER (Micron)	NPT (In.)	MODEL NUMBER
Nylon Base	40	3/8	BF-2041
		1/2	BF-2042
		3/4	BF-2043
	10	3/8	BF-2011
		1/2	BF-2012
		3/4	BF-2013
Steel Base	40	1/4	BF-2140***
	40	3/4	BF-2143
	40	3/4	BFG-2143
	40	3/4	BFGP-2143*
	10	3/4	BF-2113*
	10	3/4	BFG-2113*
	10	3/4	BFGP-2113*
All Nylon**	10	1/4	NBF-2010***
		3/8	NBF-2011
		1/2	NBF-2012
		3/4	NBF-2013
		1	NBF-2014
		1-1/4	NBF-2015
		1-1/2	NBF-2016

* 3 and 5 psi in stock. 10 psi is not stock.

** Add "WP" at end of model no. for weatherproof top.

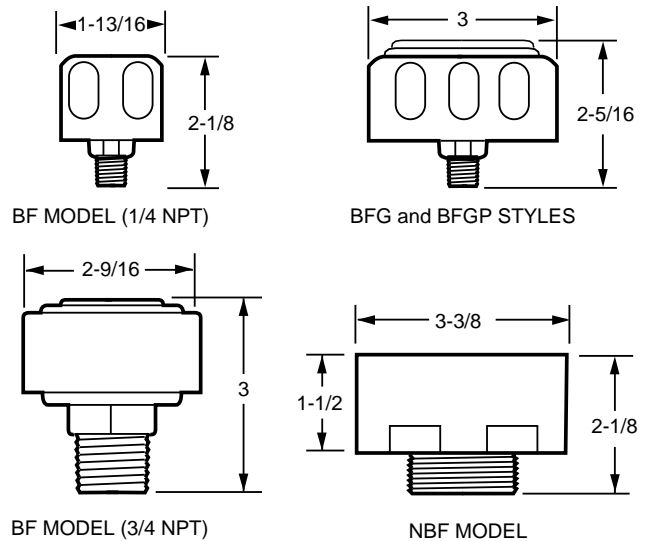
Add "SP" at end of model no. for splash proof top.

***Dipstick not available.

NBF Models. These are of all-nylon construction, and have larger than usual threaded bases, up to 1-1/2 in. NPT. They can be used in ports large enough to serve also as filling openings. Nylon dipsticks are optional; just add "dipstick" to the model number. A weatherproof cap is another option; add "WP" at end of model number. For splash proof cap; add "SP" at end of model number.

PRESSURIZED TANK BREATHER

Allows air flow to 30 cfm and available in either 10 or 40 micron with a 5 psi relief valve setting (3 psi and 10 psi available with special order). Available in 3/4" NPT with a steel base and a grip cap made of plated steel.



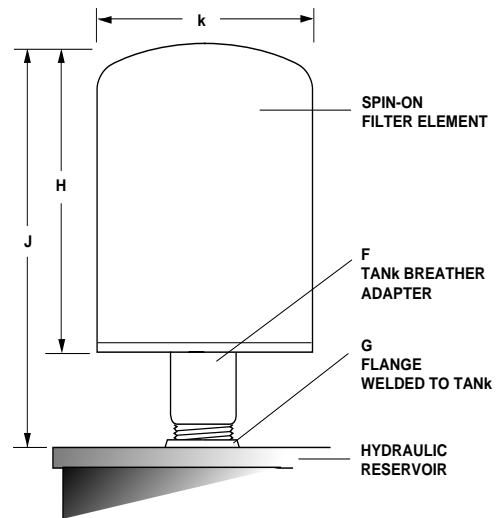
SPIN-ON FILTER ELEMENTS MAKE BIG TANK BREATHERS

Get better filtration of air entering your larger hydraulic tanks, plus much longer filter life, by utilizing 3-, 10-, or 25-micron spin-on hydraulic filters as great big tank breathers (TBAB also available at 149-micron).

We offer a choice of three simple adapters to do the job:

- They all have nipples with straight threads on one end to attach to the filter can.
- TBA has NPT threads on the other end to go into a flange welded to the tank top.
- TBAF has an integral half-coupling for mounting.
- TBAB has a bayonet (gas cap) for mounting.

We sell you black-oxide steel adapters and high-quality spin-on elements at low, low prices.



ORDER BY PART NUMBER

SPIN-ON FILTER ELEMENTS

Micron Rating	Part No.	F NPT	G	H	J (approx)	k
3	FEE-30-3	TBA-12	3/4	5-1/4	7-1/4	3-11/16
	FEE-51-3	TBA-20	1-1/4	6-7/8	9	5-1/16
10	FEE-7-10	TBA-08	1/2	3-3/8	5-1/8	3-1/16
	FEE-30-10	TBA-12	3/4	5-1/4	7-1/4	3-11/16
	FEE-51-10	TBA-20	1-1/4	6-7/8	9	5-1/16
25	FEE-7-25	TBA-08	1/2	3-3/8	5-1/8	3-1/16
	FEE-30-25	TBA-12	3/4	5-1/4	7-1/4	3-11/16
	FEE-51-25	TBA-20	1-1/4	6-7/8	9	5-1/16

TANK BREATHER ADAPTERS - Threaded

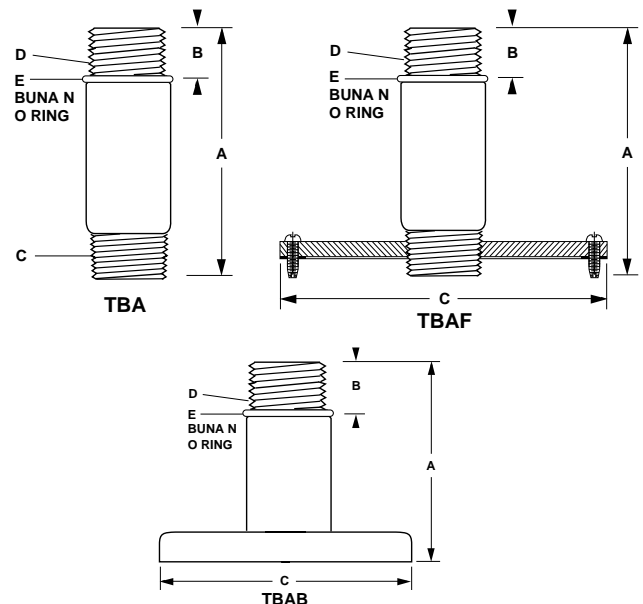
Part No.	A	B	C (NPT)	D	E
TBA-08	2-3/16	7/16	1/2	3/4-16 UNF	2-214
TBA-12	2-1/2	1/2	3/4	1-12 UNF-2A	2-212
TBA-20	3	1/2	1-1/4	1-1/2-16 UN-2A	2-220

TANK BREATHER ADAPTERS - With Flange

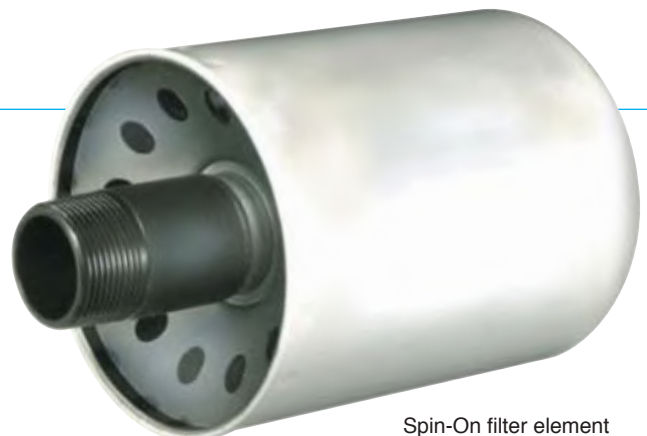
Part No.	A	B	C	D	E
TBAF-08	2-3/16	7/16	3-1/4	3/4-16 UNF	2-214
TBAF-12	2-1/2	1/2	3-1/4	1-12 UNF-2A	2-212
TBAF-20	3	1/2	3-1/4	1-1/2-16 UN-2A	2-220

TANK BREATHER ADAPTERS - Bayonet Cap

Part No.	A	B	C	D	E
TBAB-08	2	7/16	2-1/2	3/4-16 UNF	2-214
TBAB-12	2	9/16	2-1/2	1-12 UNF-2A	2-212
TBAB-20	2-3/8	7/16	2-1/2	1-1/2-16 UN-2A	2-220



TBAB Bayonet



Spin-On filter element