

# Medical Vacuum Filtration

## HV Series 1" - 4"

### Overview

Solberg's HV Series bacterial filters for medical vacuum service are designed to offer industry leading pressure drop performance and meet demanding filtration requirements in accordance with current European and US medical vacuum standards:

**ISO 7396-1:2016 Medical gas pipeline systems — Part 1 Pipeline systems for compressed medical gases and vacuum**

**NFPA 99:2018 Health Care Facilities Code**

With its exclusive transparent design, pleated element construction, maximized element surface area, and minimal pressure drop, the HV Series offers an innovative, high quality, and long lasting solution that satisfies the strict requirements of the medical industry.

*Third party verification ensures Solberg's elements meet ISO 45 H classification as defined in ISO 29463-1. The HV Series achieves greater than 99.995% total retention rate offering a very high level of protection in medical/hospital, dental, and laboratory applications.*

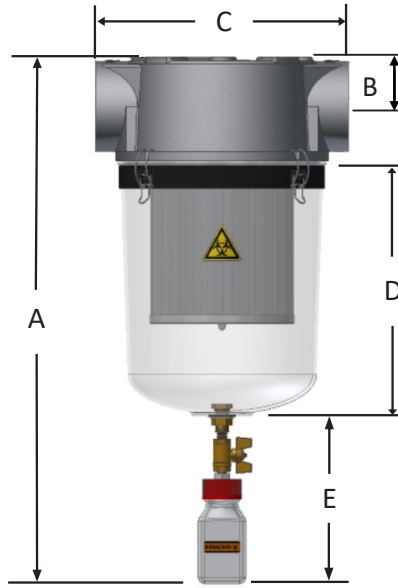


### Benefits

- Minimizes microbial contamination of vacuum pump oil and surrounding environment
- Visual pressure differential indication allows for real time monitoring and maintenance checks of the filter
- Biohazard labels improve safety and awareness at facility
- Increased surface area and large collection area maximizes contaminant holding capacity
- Low pressure drop design for reduced energy consumption over time
- Corrosion resistant and heavy duty materials of construction offer high performance and extended service life
- Isolation valve allows for quick and easy change out of glass flask for sterilization or disposal
- Equipped with pressure differential gauge for visual indication to service filter
- Easily incorporated into the medical gas distribution system piping allowing for a CE marking according to the Medical Devices Directive 93/42/EC
- High efficiency elements tested and verified to meet EN1822-1 filter class H14 requirements
- Meets NFPA 99 requirements for vacuum filtration

Rev: HV-EU1219K

# HV Series 1" - 4"



BSP Inlet/Outlet	Assembly Part Number (w/ Gauge)	Approx. Dimensions (mm)					Suggested Service ht. mm	Approx. Weight (kg)	Replacement Element Part No.	Rarified Air Flow Rating At 370 mbar(a)	Air Flow at Atmosphere: Free Air Aspirated (FAA)
		A	B	C	D	E					
1"	HV-UL896-101C	572	305	178	264	235	214	7	UL896	186 m <sup>3</sup> /hr	68 Nm <sup>3</sup> /hr
1 ¼"	HV-UL896-126C	572	305	178	264	235	214	7	UL896	208 m <sup>3</sup> /hr	76 Nm <sup>3</sup> /hr
1 ½"	HV-UL896-151C	572	305	178	264	235	214	7	UL896	208 m <sup>3</sup> /hr	76 Nm <sup>3</sup> /hr
2"	HV-UL850/1-201C	648	362	229	318	235	222	9	UL850/1	652 m <sup>3</sup> /hr	238 Nm <sup>3</sup> /hr
2 ½"	HV-UL850/1-251C	648	362	229	318	235	222	9	UL850/1	652 m <sup>3</sup> /hr	238 Nm <sup>3</sup> /hr
3"	HV-UL234/2G-301C	737	432	343	356	235	244	14	UL234/2G	1,052 m <sup>3</sup> /hr	384 Nm <sup>3</sup> /hr
4"	HV-UL234/2G-401C	737	432	343	356	235	244	14	UL234/2G	1,052 m <sup>3</sup> /hr	384 Nm <sup>3</sup> /hr

6" option available upon request.

## Technical Specifications

- Operating pressure range: atmospheric to full vacuum
- Particulate removal > 99.995% efficiency
- Meets ISO 29463-1 requirements for ISO 45H class filtration
- Temp (continuous): min -26°C (-15°F) max 104°C (220°F)
- Corrosive resistant aluminum cast head
- Shatter resistant polycarbonate collection area
- Glass drain flask for easy removal and sterilization

## Options

- Available with or without gauge (Standard HV part number includes gauge)
- For information on a unit without gauge, please contact the factory
- Taps for gauges and mounting brackets



**SOLBERG®**

[www.solbergmfg.com](http://www.solbergmfg.com)

All model offerings and design parameters are subject to change without prior notice.  
Contact your representative or Solberg for the most current information.