

ATEX Vacuum Filters



XCSL Series 3/8" - 2" BSPP*

Explosion Protection: ATEX Directive

Explosions can occur within applications such as pharmaceutical, chemical, metal, food, plastics, coal and wood working industries. Solberg was one of the first filtration companies qualified to service these industries in compliance with the ATEX directive 2014/34/EU. This European Union code seeks to minimize the possibility of explosions related to equipment used in potentially explosive gaseous or dusty environments.

Features

- Seamless drawn housings designed for low pressure drop
- O-ring seal
- Nickel plated carbon steel construction
- Stainless steel torsion clips for durability
- ATEX nameplate standard

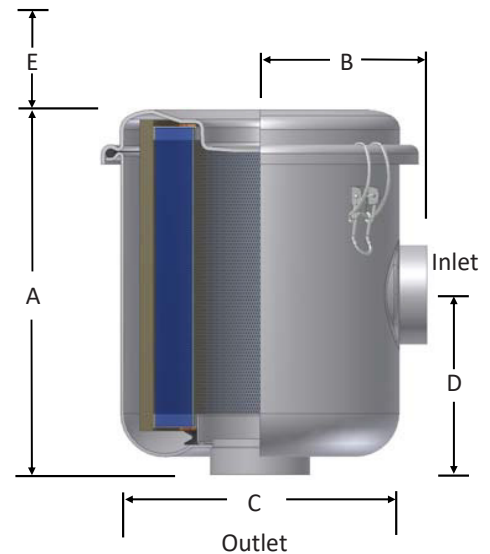
Technical Specifications

- Vacuum Rating: Medium vacuum service**
- Temp (continuous): min -26°C (-15°F) max 104°C (220°F)
- Filter change out differential: 37-50 mbar over initial ΔP
- Polyester: 99%+ removal efficiency standard to 5 micron
- Paper: 99%+ removal efficiency standard to 2 micron

**See Vacuum Filter Technical Data for vacuum service data.

Options

- Vacuum gauge
- Higher holding capacity configurations available (select models)
- Multiple finishes available
- Support brackets
- Alternative top-to-canister fastening system for low pressure or pulsating systems
- Stainless steel (select models)



Inlet/ Outlet Size BSPP	Assembly m ³ /h Rating	Assembly Part Number		Dimensions - mm				Suggested Service HT. E	Approx. Weight kg	Replacement Element Part No.		Element m ³ /h Rating
		Polyester	Paper	A	B	C	D			Polyester	Paper	
3/4"	43	XCSL-X843-076HC	XCSL-X842-076HC	103	76	146	64	83	1.4	X843	X842	94
1 1/4"	102	XCSL-X849-126HC	XCSL-X848-126HC	170	105	187	114	133	2.3	X849	X848	196
2"	298	XPSL-X851/1-201HC	XPSL-X850/1-201HC	260	114	222	127	235	6.8	X851	X850	493

*Stocked sizes listed above. Contact factory for additional sizes.

Rev: XCSL-EU2005K

United Kingdom
Phone: +44 (0) 1902 798499
UKsales@solbergmfg.com

Belgium
Phone: +32 3 774 52 11
BEsales@solbergmfg.com

Germany
Phone: + 49 9129 145 3902
vertrieb@solbergmfg.com

Slovakia
Phone: +421 (0) 48 41 33 251
predaj@solbergmfg.com

All model offerings and design parameters are subject to change without prior notice.
Contact your representative or Solberg for the most current information.

www.solbergmfg.com